

# **AD174A Datasheet**

**Zhuhai Jieli Technology Co.,LTD**

**Version:1.1**

**Date:2023.09.28**

## AD174A Features

### CPU

- 32bit DSP
- Maximum speed 160MHz
- Interrupts with 8 priority level

### Memory

- Optional built-in flash memory

### Clocks

- On-chip 16 MHz clock
- On-chip 200KHz lower-temperature-drift clock

### Audio APA

- Support for driving 4 or 8 ohm speaker
- Mono Class-D Speaker Amplifier
  - 0.42W/8  $\Omega$  @3.7V
  - 0.17W/8  $\Omega$  @2.4V
  - 0.62W/4  $\Omega$  @3.7V
  - 0.25W/4  $\Omega$  @2.4V

### Peripherals

- Three multi-function 16-bit timers, support capture and PWM mode
- Two UART Controllers(UART0/1) supports DMA and Flow Control
- One IIC Master controller

- Two SPI Master / Slaver controller with DMA  
SPI0 support 4bit,SPI1 support 2bit
- 13-channel 10-bit general purpose ADC
- 4-channel Advance PWM controller
- A0:13/A4:16 Individually programmable and multiplexed GPIO pins
- Digital peripheral crossbar
- Support Touch Key of pulse counter
- Up to 8 external interrupt / wake-up source ( low power available,can be multiplexed to any I/O )
- Watchdog

### PMU

- Less than 2uA soft off current
- VBAT range : 2.0V to 5.5V
- IOVDD range : 2.0V to 3.4V

### Packages

- TSSOP20

### Temperature

- Operating temperature: -40°C to +85°C
- Storage temperature: -65°C to +150°C

### Applications

- Sound Toy
- Audio player
- Universal Microcontroller

# 1 Block Diagram

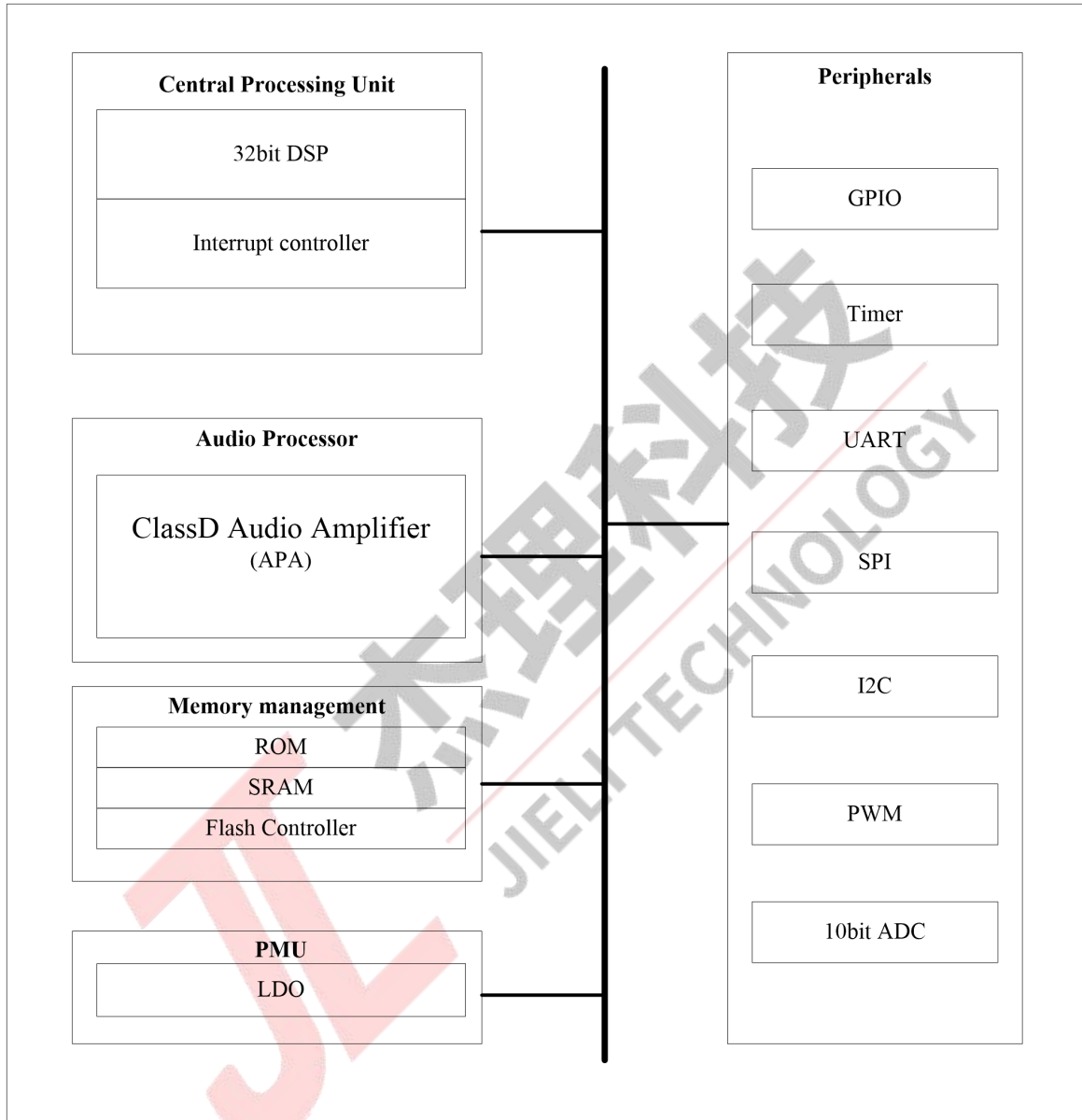


Figure 1-1 AD174A Block Diagram

## 2 Pin Definition

### 2.1 Pin Assignment

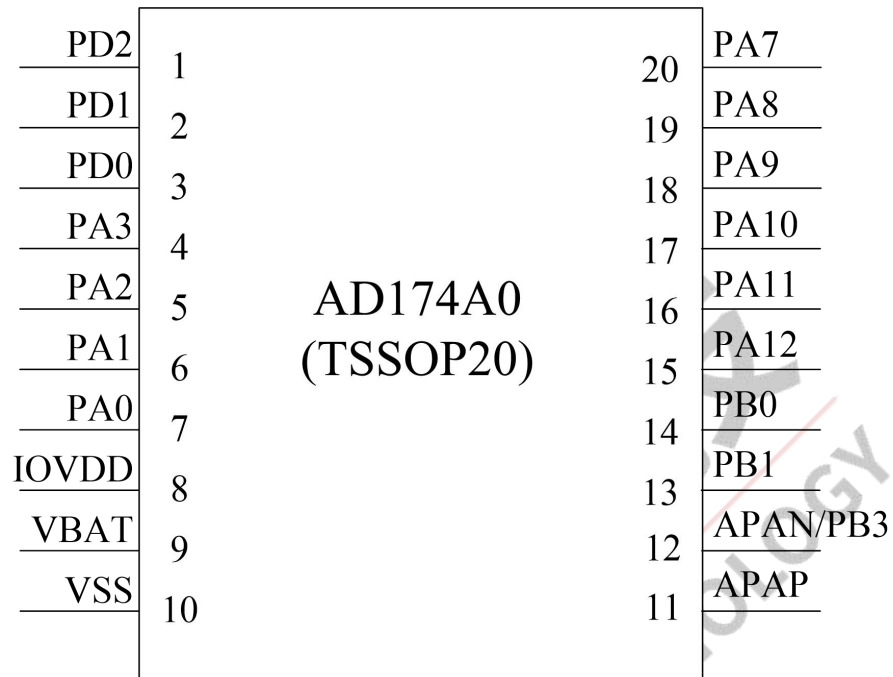


Figure 2-1 AD174A0 Package Diagram

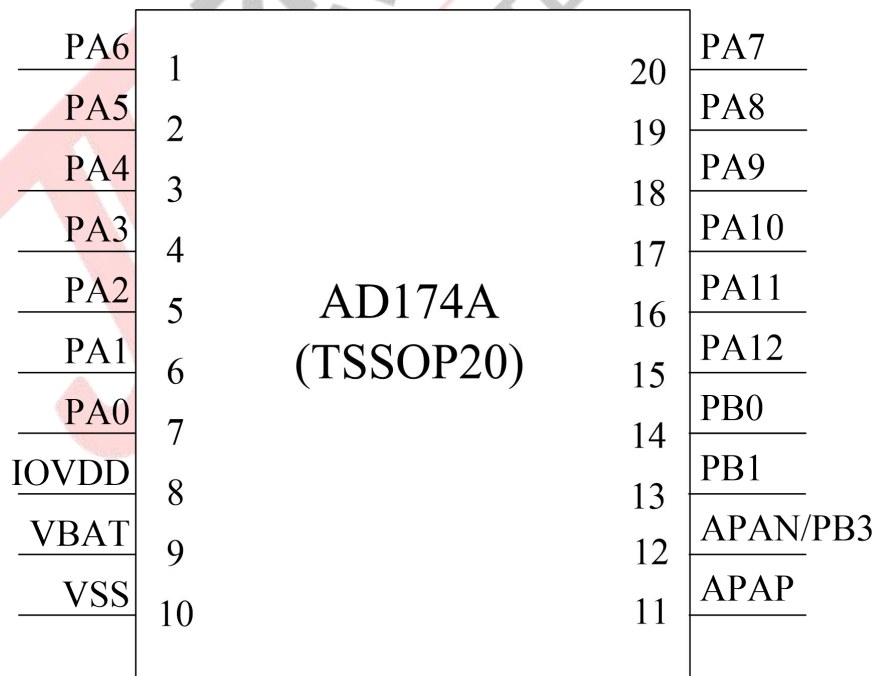


Figure 2-2 AD174A2/4 Package Diagram

## 2.2 Pin Description

Table 2-1 AD174A Pin Description

PIN NO.	Name		Type	Function	Other Function
1	A0	PD2	I/O	GPIO	SFCCS:SFC Chip Select;
	A2/4	PA6	I/O	GPIO (pull down)	ADC6:ADC Input Channel 6;
2	A0	PD1	I/O	GPIO	SFCDO:SFC Data Out; ADC13:ADC Input Channel 13;
	A2/4	PA5	I/O	GPIO	ADC5:ADC Input Channel 5; PWMCK1;
3	A0	PD0	I/O	GPIO	SFCCLK:SFC Clk;
	A2/4	PA4	I/O	GPIO	ADC4:ADC Input Channel 4; PWMCK0;
4	PA3		I/O	GPIO	ADC3:ADC Input Channel 3; CAP0:Timer0 Capture; PWM0:Timer0 PWM Output;
5	PA2		I/O	GPIO	ADC2:ADC Input Channel 2; TMR0:Timer0 Clock Input;
6	PA1		I/O	GPIO	ADC1:ADC Input Channel 1; LVD:Low Voltage Detect;
7	PA0		I/O	GPIO (pull up)	Long press reset; ADC0:ADC Input Channel 0;
8	IOVDD		PO	Power supply for GPIO	Built-in linear voltage regulator output;
9	VBAT		PI		Power supply input;
10	VSS		G		System ground;
11	APAP		O		Class-D APA Positive Output;
12	APAN		O		Class-D APA Negative Output;
	PB3		I/O	5V tolerant IO	
13	PB1		I/O	5V tolerant IO	Serial port code upgrade pin;
14	PB0		I/O	5V tolerant IO	
15	PA12		I/O	GPIO	ADC12:ADC Input Channel 12;
16	PA11		I/O	GPIO	ADC11:ADC Input Channel 11;
17	PA10		I/O	GPIO	ADC10:ADC Input Channel 10;
18	PA9		I/O	GPIO (pull down)	ADC9:ADC Input Channel 9;
19	PA8		I/O	GPIO (pull down)	ADC8:ADC Input Channel 8;
20	PA7		I/O	GPIO (pull down)	ADC7:ADC Input Channel 7;

Pin Type	Description	Pin Type	Description
P	Power	I/O	Input or Output
PI	Power Input	I	Input
PO	Power Output	O	Output
AO	Analog Output	G	Ground

CROSSBAR						
SPI0	SPI1	IIC	UART0	UART1	PWMCH0	PWMCH1
SPI0_CLK	SPI1_CLK	IIC_CLK	UART0_TX	UART1_TX	PWMCH0L	PWMCH1L
SPI0_DI	SPI1_DI	IIC_DAT	UART0_RX	UART1_RX	PWMCH0H	PWMCH1H
SP0_D0	SPI1_D0					
SP0_DAT2						
SP0_DAT3						

Input Channel x6			Output Channel x8		
WAKEUP	Timer1	IRFLT	PWM1	CLK_OUT0	APA_DOP
PWMFP0	Timer2	TOUCH_CAP	PWM2	CLK_OUT1	APA_DON
PWMFP1	CAP1	UART1_CTS	UART1_RTS	CLK_OUT2	
EXT_CLK	CAP2				

### 3 Electrical Characteristics

#### 3.1 Absolute Maximum Ratings

Table 3-1

Symbol	Parameter	Min	Max	Unit
T <sub>opt</sub>	Operating temperature	-40	+85	°C
T <sub>stg</sub>	Storage temperature	-65	+150	°C
V <sub>BAT</sub>	Supply Voltage	-0.3	6	V
V <sub>IOVDD</sub>	Voltage applied at IOVDD	-0.3	3.6	V
V <sub>GPIO</sub>	Voltage applied to GPIO	-0.3	IOVDD+0.3	V
V <sub>HVIO</sub>	Voltage applied to High Voltage Resistant IO	-0.3	+5.5	V

Note : The chip can be damaged by any stress in excess of the absolute maximum ratings listed below

#### 3.2 ESD Protectio

Table 3-2

Parameter	Typ.	Test pin	Reference standard
Human Body Mode	±4KV	All pins	JEDEC EIA/JESD22-A114
Machine Mode	±200V	All pins	JEDEC EIA/JESD22-A115
Charge Device Model	±2KV	All pins	JEDEC EIA/JESD22-C101F
Latch up	±200mA	All GPIO pins	JEDEC STANDARD NO.78E
	1.5xV <sub>opmax</sub>	All power pins	

Note : 1.5xV<sub>opmax</sub> = 1.5 times maximum operating voltage.

#### 3.3 PMU Characteristics

Table 3-3

Symbol	Parameter	Min	Typ	Max	Unit	Test Conditions
V <sub>BAT</sub>	Voltage Input	2.0	3.7	5.5	V	–
IOVDD	Voltage output	2.0	3.0	3.4	V	V <sub>BAT</sub> = 4.2V, 10mA loading
	Loading current	–	–	100	mA	IOVDD=3.3V@V <sub>BAT</sub> ≥ 3.6V
V <sub>LVD</sub>	Voltage input	1.8	2.5	2.5	V	Low-Voltage Detection of IOVDD

### 3.4 IO Input/Output Electrical Logical Characteristics

Table 3-4

GPIO input characteristics						
Symbol	Parameter	Min	Typ	Max	Unit	Test Conditions
V <sub>IL</sub>	Low-Level Input Voltage	-0.3	-	0.3* IOVDD	V	IOVDD = 3.0V
V <sub>IH</sub>	High-Level Input Voltage	0.7* IOVDD	-	IOVDD+0.3	V	IOVDD = 3.0V
High Voltage Resistant IO input characteristics						
Symbol	Parameter	Min	Typ	Max	Unit	Test Conditions
V <sub>IL</sub>	Low-Level Input Voltage	-0.3	-	0.3* IOVDD	V	IOVDD = 3.0V
V <sub>IH</sub>	High-Level Input Voltage	0.7* IOVDD	-	+5V	V	IOVDD = 3.0V
Resistant IO output characteristics						
Symbol	Parameter	GPIO	Typ	Unit	Test Conditions	
V <sub>OL</sub>	0.1*IOVDD Drive current	PA0~PA12	HD=1 : -7 HD=2 : -22 HD=3 : -27	mA	IOVDD = 3.0V	
		PB0,PB1 PB3	-7			
	0.1*HPVDD Drive current APA IO total current limit of 400mA	APAN APAP	-400		VBAT=3.7V	
V <sub>OH</sub>	0.9*IOVDD Drive current	PA0~PA12	HD=1 : 7 HD=2 : 24 HD=3 : 56	mA	IOVDD = 3.0V	
		PB0,PB1 PB3	7			
	0.9*HPVDD Drive current APA IO total current limit of 400mA	APAN APAP	400		VBAT=3.7V	

### 3.5 Internal Resistor Characteristics

Table 3-5

Port	Internal Pull-Up Resistor	Internal Pull-Down Resistor	Comment
PA0~PA12,PB0,PB1,PB3	10K	200K	1. PA0 default pull up 2. PA6~PA9 default pull down 3. Internal pull-up/pull-down resistance   accuracy ±20%



### 3.6 Audio APA Characteristics

Table 3-6

Parameter	MODE	Min	Typ	Max	Unit	Test Conditions		
Frequency Response		20	–	20K	Hz	R <sub>L</sub> =10K, V <sub>BAT</sub> =3.7V		
Output Swing	Diff (N to P)	–	1.57	–	V <sub>rms</sub>	R <sub>L</sub> =4Ω	f=1kHz/0dB V <sub>BAT</sub> =3.7V	
		–	1.83	–	V <sub>rms</sub>	R <sub>L</sub> =8Ω		
		–	2.22	–	V <sub>rms</sub>	R <sub>L</sub> =10K		
	Single-ended	–	1.11	–	V <sub>rms</sub>	R <sub>L</sub> =10K		
	Diff (N to P)	–	0.99	–	V <sub>rms</sub>	R <sub>L</sub> =4Ω		f=1kHz/0dB V <sub>BAT</sub> =2.4V
		–	1.17	–	V <sub>rms</sub>	R <sub>L</sub> =8Ω		
		–	1.44	–	V <sub>rms</sub>	R <sub>L</sub> =10K		
	Single-ended	–	0.72	–	V <sub>rms</sub>	R <sub>L</sub> =10K		
	Output power	Diff (N to P)	–	0.62	–	W	R <sub>L</sub> =4Ω	
–			0.42	–	W	R <sub>L</sub> =8Ω	V <sub>BAT</sub> =3.7V	
–			0.25	–	W	R <sub>L</sub> =4Ω	f=1kHz/0dB	
–			0.17	–	W	R <sub>L</sub> =8Ω	V <sub>BAT</sub> =2.4V	
THD+N	Diff (N to P)	–	-31	–	dB	R <sub>L</sub> =4Ω	f=1kHz/0dB	
		–	-35	–	dB	R <sub>L</sub> =8Ω	A-Weighted	
		–	-75	–	dB	R <sub>L</sub> =10K	V <sub>BAT</sub> =3.7V	
	Single-ended	–	-70	–	dB	R <sub>L</sub> =10K		
	Diff (N to P)	–	-31	–	dB	R <sub>L</sub> =4Ω	f=1kHz/0dB	
		–	-36	–	dB	R <sub>L</sub> =8Ω	A-Weighted	
		–	-73	–	dB	R <sub>L</sub> =10K	V <sub>BAT</sub> =2.4V	
	Single-ended	–	-70	–	dB	R <sub>L</sub> =10K		
S/N	Diff (N to P)	–	97	–	dB	R <sub>L</sub> =4Ω	f=1kHz/0dB	
		–	97	–	dB	R <sub>L</sub> =8Ω	A-Weighted	
		–	95	–	dB	R <sub>L</sub> =10K	V <sub>BAT</sub> =3.7V	
	Single-ended	–	75	–	dB	R <sub>L</sub> =10K		
	Diff (N to P)	–	94	–	dB	R <sub>L</sub> =4Ω	f=1kHz/0dB	
		–	94	–	dB	R <sub>L</sub> =8Ω	A-Weighted	
		–	88	–	dB	R <sub>L</sub> =10K	V <sub>BAT</sub> =2.4V	
Single-ended	–	72	–	dB	R <sub>L</sub> =10K			
Dynamic Range	Diff (N to P)	–	88	–	dB	R <sub>L</sub> =4Ω	f=1kHz/-60dB	
		–	88	–	dB	R <sub>L</sub> =8Ω	A-Weighted	
		–	86	–	dB	R <sub>L</sub> =10K	V <sub>BAT</sub> =3.7V	
	Single-ended	–	75	–	dB	R <sub>L</sub> =10K		
	Diff (N to P)	–	87	–	dB	R <sub>L</sub> =4Ω	f=1kHz/-60dB	
		–	87	–	dB	R <sub>L</sub> =8Ω	A-Weighted	
		–	85	–	dB	R <sub>L</sub> =10K	V <sub>BAT</sub> =2.4V	
	Single-ended	–	74	–	dB	R <sub>L</sub> =10K		

## 4 Package Information

### 4.1 TSSOP20

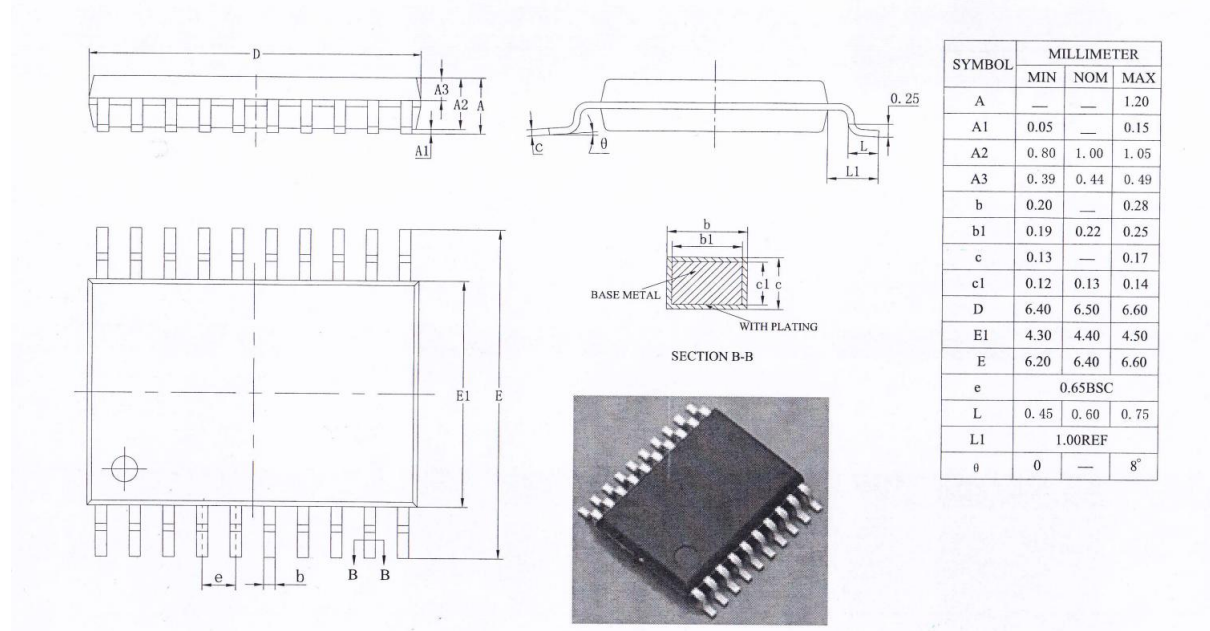
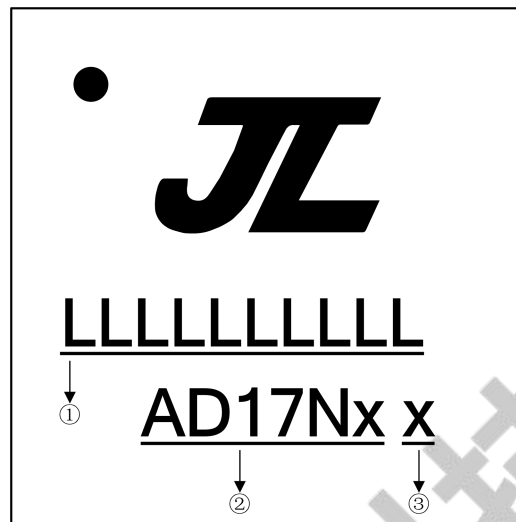


Figure 4-1 AD174A Package

## 5 IC Marking Information



① LLLLLLLLLL : Production Batch

② AD17Nx : Chip Model

③ Built-in flash size

0: No Flash Memory

2: 2Mbit Flash

4: 4Mbit Flash

8: 8Mbit Flash

6: 16Mbit Flash

3: 32Mbit Flash

## 6 Solder-Reflow Condition

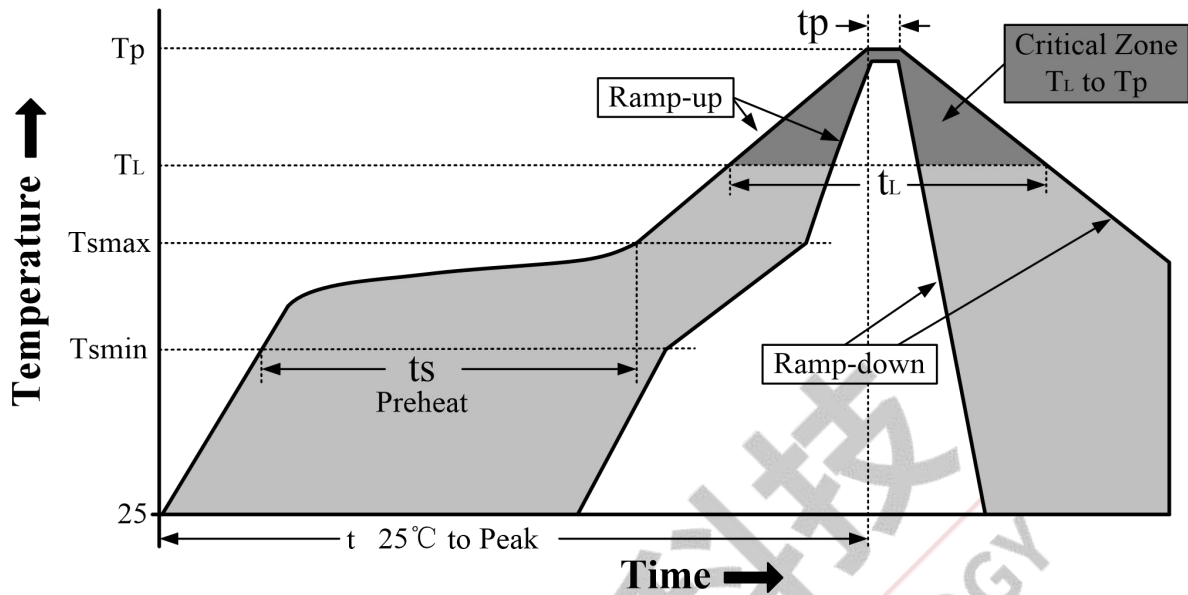


Figure 6-1 Classification Reflow Profile

### Classification Profiles

Table 6-1

Profile Feature		Sn-Pb Eutectic Assembly	Pb-Free Assembly
Preheat/ Soak	Temperature Min ( $T_{smin}$ )	100 °C	150 °C
	Temperature Max ( $T_{smax}$ )	150 °C	200 °C
	Time ( $t_s$ ) from ( $T_{smin}$ to $T_{smax}$ )	60-120 seconds	60-180 seconds
Average ramp-up rate ( $T_{smax}$ to $T_p$ )		3 °C/second max	3 °C/second max
Liquidous temperature ( $T_L$ )		183 °C	217 °C
Time ( $t_L$ ) maintained above $T_L$		60-150 seconds	60-150 seconds
Peak package body temperature ( $T_p$ )		See Table 6-2.	See Table 6-3.
Time within 5°C of actual Peak Temperature ( $t_p$ )		10-30 seconds	20-40 seconds
Ramp-down rate ( $T_p$ to $T_L$ )		6 °C/second max.	6 °C/second max.
Time 25 °C to peak temperature		6 minutes max.	8 minutes max.

Note 1: All temperatures refer to topside of the package, measured on the package body surface.

Note 2: Time within 5°C of actual peak temperature ( $t_p$ ) specified for the reflow profiles is a “supplier” minimum and “user” maximum.

### SnPb - Classification Temperature

Table 6-2

Package Thickness	Volume $mm^3$ < 350	Volume $mm^3$ $\geq 350$
<2.5 mm	240 +0/-5 °C	225 +0/-5 °C
$\geq 2.5$ mm	225 +0/-5 °C	225 +0/-5 °C

**Pb-free - Classification Temperature**      **Table 6-3**

<b>Package Thickness</b>	<b>Volume mm<sup>3</sup> &lt; 350</b>	<b>Volume mm<sup>3</sup> 350 - 2000</b>	<b>Volume mm<sup>3</sup> &gt; 2000</b>
< 1.6mm	260 °C	260 °C	260 °C
1.6 mm - 2.5mm	260 °C	250 °C	245 °C
> 2.5mm	250 °C	245 °C	245 °C



## 7 Revision History

Date	Revision	Description
2023.07.13	V1.0	Initial Release.
2023.09.28	V1.1	Update Pin Definition. Update Features modification. Increase AD174A0 package.

